

# H SERIES

Snowblowers

SEMI INDUSTRIAL CHUTE WITH ANTI FOG REMOVABLE PANEL



## REDUCER GEAR BOX 1 000 @ 540 RPM

A	225 h.p. 3 gears	1 3/4" - 20 splines	6,75" (2) & 8" (1) c.c. shaft
B	300 h.p. 2 3 gears	1 3/4" - 20 splines	6,75" c.c. shaft
B	150 h.p. 2 3 gears	1 3/8" - 6 or 1 3/4" - 20 splines	6,75" c.c. shaft (2, 3)
B	75 et 85 h.p. 2 3 gears	1 3/8" - 6 or 1 3/4" - 20 splines	4,85" c.c. shaft (2, 3)

## REVERSER GEAR BOX 540 @ 540 RPM

B	150 h.p. 2 gears	1 3/8" - 6 or 1 3/4" - 20 splines	6,75" c.c. shaft (2, 3)
B	75 et 85 h.p. 2 egears	1 3/8" - 6 or 1 3/4" - 20 splines	4,85" c.c. shaft (3)

## REVERSER GEAR BOX RATIO 3,58 : 1 - 5,9 : 1

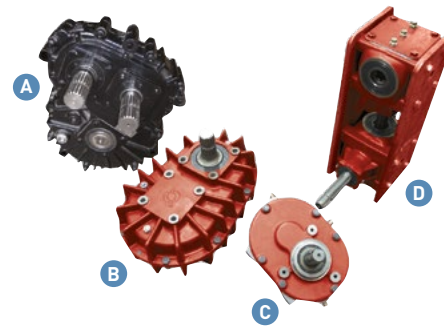
C	30 h.p. gears	1 3/8" - 6 splines	3,11" c.c. shaft (3)
---	---------------	--------------------	----------------------

## TRANSFER GEAR BOX (From back to front of the tractor) 540 @ 540 RPM

D	150 h.p. gears	1 3/4" - 20 splines	10" et +, c.c. shaft
D	70 h.p. gears	1 3/8" - 6 splines	8" et +, c.c. shaft
D	30 h.p. gears	1 3/8" - 6 splines	9" et +, c.c. shaft



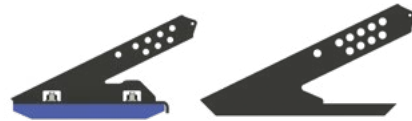
TELESCOPIC HYDRAULIC CHUTE (EXTENSION 28")



(1) not reverser  
(2) reverser and  
(3) others ratios available

## ADJUSTABLE SKID SHOES

- Carbon steel
- Stainless steel
- **HARDOX 450**
- Tivar 88



## REVERSIBLE BLADE

- Carbon steel (reversible)
- Stainless steel (reversible)
- **HARDOX 450** (reversible)
- Tivar 88



## AVAILABLE COLORS



# H SERIES

Snowblowers



HITCH YOUR TRACTOR TO HIGH PERFORMANCE

## QUALITY, DURABILITY, AND RELIABILITY



Normand Co. Ltd  
[cienormand.com](http://cienormand.com)



340 Tache Street  
 Saint-Pascal (QC) Canada G0L 3Y0  
 418 492-2712 • 1 888 666-7626  
[normand@cienormand.com](mailto:normand@cienormand.com)

THE MOST COMPLETE LINE OF COMMERCIAL SNOWBLOWERS ON THE MARKET

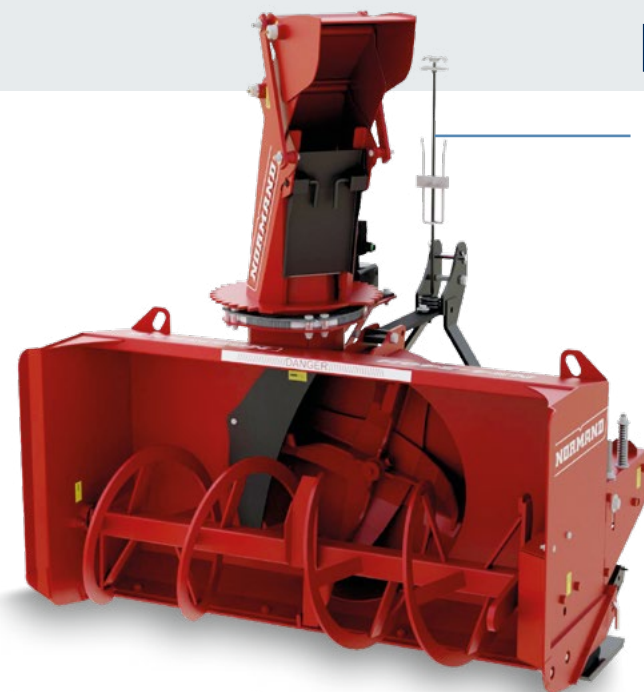
# H SERIES

Snowblowers



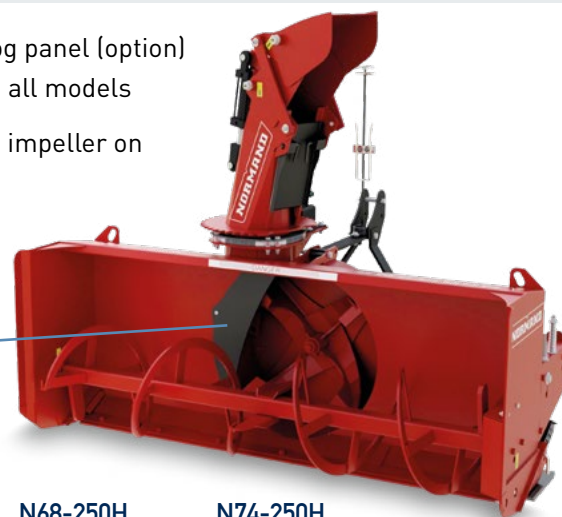
## N54-240H

- Hoses holder on all models
- High quality paint with epoxy primer on all models
- Well finished construction and full length welding on all models



## N74-250H

- 1. Removable anti fog panel (option)
  - 2. Flow corrector on all models
- Balanced auger and impeller on all models



	N54-240H	N60-240H	N68-250H	N74-250H
CUTTING WIDTH	54"	60"	68"	74"
RECOMMENDED HORSEPOWER (HP PTO)	20 to 40	20 to 40	25 to 45	25 to 45
AUGER	1	1	1	1

N54-240H | N60-240H | N68-250H | N74-250H

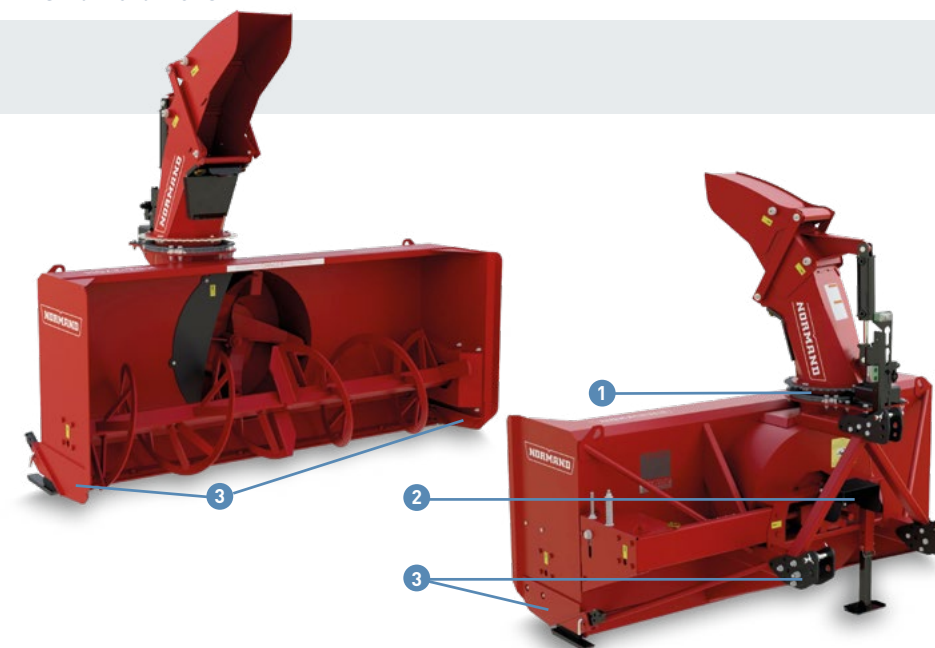
# H SERIES

Snowblowers



## N82-270H

- 1. Chute rotation on polyethylene UHMW to avoid friction and ice accumulation
- 2. Gear box embedded in the drum for better weight distribution
- 3. HARDOX 450 steel reinforcement parts and 3-pts hitch on all models



	N74-270H	N82-270H N82-270HTR	N86-270H N86-270HTR
CUTTING WIDTH	74"	82"	86"
RECOMMENDED HORSEPOWER (HP PTO)	40 to 65	40 to 65	45 to 75
AUGER	1	1	1
ROTARY DRUM	-	- / Yes	- / Yes

## N60-262H

SOUFFLEUSES POUR LE DÉNEIGEMENT DES TROTTOIRS

- 1. Lateral blades, reinforcement parts and 3-pts hitch in HARDOX 450 steel
- Superior performance and sturdiness



	N50-262H	N60-262H
CUTTING WIDTH	50"	60"
RECOMMENDED HORSEPOWER (HP PTO)	50 to 75	50 to 75
AUGER	2	2

N50-262H | N60-262H | N74-270H | N82-270H | N86-270H  
N82-270HTR | N86-270HTR

# H SERIES

Snowblowers



## N86-280H

1. Hoses holder on all models
2. **HARDOX** 450 steel reinforcement parts and 3-pts hitch on all models



## N92-300H

1. **HARDOX** 450 steel reinforcement parts and 3-pts hitch on all models
2. Gear box embedded in the drum for better weight distribution
3. Bolted reversible carbon steel blade and adjustable carbon steel skid shoes on all models



	N86-280H N86-280HTR	N92-280H	N92-300H N92-300HTR	N98-300H
CUTTING WIDTH	86"	92"	92"	98"
RECOMMENDED HORSEPOWER (HP PTO)	60 to 85	60 to 85	75 to 100	75 to 100
AUGER	1	1	1	1
ROTARY DRUM	- / Yes	-	- / Yes	-

N86-280H | N92-280H | N92-300H | N98-300H  
N86-280HTR | | N92-300HTR |

# H SERIES

Snowblowers



## N92-312H

## N98-310H



1. Removable anti fog panel (option)
2. **HARDOX** 450 steel reinforcement parts and 3-pts hitch on all models

	N92-310H N92-310HTR	N92-312H N92-312HTR	N98-310H N98-310HTR	N98-312H N98-312HTR
CUTTING WIDTH	92"	92"	98"	98"
RECOMMENDED HORSEPOWER (HP PTO)	85 to 140	85 to 140	85 to 140	85 to 140
AUGER	1	1 or 2	1	1 or 2
ROTARY DRUM	- / Yes	- / Yes	- / Yes	- / Yes

## N102-342HTR

1. Oversized extra-robust 3-pts hitch
2. Storage foot



	N102-340H	N98-342H N98-342HTR	N102-342H N102-342HTR	N112-342H N112-342HTR
CUTTING WIDTH	102"	98"	102"	112"
RECOMMENDED HORSEPOWER (HP PTO)	100 to 160	100 to 160	100 to 160	100 to 160
AUGER	1	1 or 2	1 or 2	1 or 2
ROTARY DRUM	-	- / Yes	- / Yes	- / Yes

N92-310H | N92-312H | N98-310H | N98-312H | N102-340 H | N98-342H | N102-342H | N112-342H  
N92-310HTR | N92-312HTR | N98-310HTR | N98-312HTR | | N98342HTR | N102-342HTR | N112-342HTR



Removable rotary drum with two polyethylene bearings (front and back). For easy maintenance, patented mechanism that prevents the drum from losing its position.



Safety bolts on driving shaft, 2 sprockets one with spring and one adjustable



Hydraulic chute rotation with gears and motor with cushion valve and with chromed shaft



Hydraulic drum rotation with gear and motor with cushion valve (on tr models)

# H SERIES

Snowblowers



# H SERIES

Snowblowers



	1 auger only					2 augers				1 auger only				1 or 2 augers			1 or 2 augers				
	N54-240H	N60-240H	N68-250H	N74-250H	N74-270H	N82-270H N82-270HTR	N86-270H N86-270HTR	N50-262H	N60-262H	N86-280H N86-280HTR	N92-280H	N92-300H N92-300HTR	N98-300H	N92-310H N92-310HTR	N92-312H N92-312HTR	N98-310H N98-310HTR	N102-340H	N98-312H N98-312HTR	N98-342H N98-342HTR	N102-342H N102-342HTR	N112-342H N112-342HTR
RECOMMENDED HORSEPOWER HP	20 to 40*	20 to 40*	25 to 45	25 to 45	40 to 65	40 to 65	45 to 75	50 to 75	50 to 75	60 to 85	60 to 85	75 to 100	75 to 100	85 to 140	85 to 140	85 to 140	100 to 160	85 to 140	100 to 160	100 to 160	100 to 160
CUTTING WIDTH	54"	60"	68"	74"	74"	82"	86"	50"	60"	86"	92"	92"	98"	92"	92"	98"	102"	98"	98"	102"	112"
CUTTING HEIGHT	28 1/2"	28 1/2"	29 1/2"	29 1/2"	34"	34"	34"	37"	37"	36"	36"	38"	38"	38"	41 1/2"	38"	41 1/8"	41 1/2"	48"	48"	48"
IMPELLER RPM	540	540	540	540	540	540	540	540	540	540	540	540	540	540	540	540	540	540	540	540	540
IMPELLER DIAMETER	24"	24"	25"	25"	27 1/2"	27 1/2"	27 1/2"	26"	26"	28 1/2"	28 1/2"	30"	30"	31"	31"	31"	34"	31"	34"	34"	34"
IMPELLER DEPTH	7 1/2"	7 1/2"	9"	9"	11"	11"	11"	11"	11"	12"	12"	12"	12"	14 1/4"	14 1/4"	14 1/4"	14 1/4"	14 1/4"	14 1/4"	14 1/4"	14 1/4"
NUMBER OF BLADES	4	4	4	4	4	4	4	4	4	4	4	5	5	5	5	5	5	5	5	5	5
IMPELLER SHAFT DIAMETER	1 1/4"	1 1/4"	1 9/16"	1 9/16"	1 9/16"	1 9/16"	1 9/16"	1 9/16"	1 9/16"	1 9/16"	1 9/16"	1 3/4"	1 3/4"	2"	2"	2"	2"	2"	2"	2"	2"
BALANCED IMPELLER	Std	Std	Std	Std	Std	Std	Std	Std	Std	Std	Std	Std	Std	Std	Std	Std	Std	Std	Std	Std	Std
DRUM CENTER HEIGHT	14"	14"	14 1/2"	14 1/2"	18 3/4"	18 3/4"	18 3/4"	15"	15"	17 3/4"	17 3/4"	21 1/4"	21 1/4"	19 1/2"	19 1/2"	19 1/2"	21"	19 1/2"	21"	21"	21"
REMOVABLE ROTARY DRUM	-	-	-	-	-	- / Std	- / Std	-	-	- / Std	-	- / Std	-	- / Std	- / Std	- / Std	-	- / Std	- / Std	- / Std	- / Std
CHUTE ROTATION BY HYDRAULIC	2" X 4"	2" X 4"	2" X 4"	2" X 4"	2" X 6"	2" X 6"	2" X 6"	2" X 6"	2" X 6"	2 1/2" X 8"	2 1/2" X 8"	2 1/2" X 8"	2 1/2" X 8"	2 1/2" X 8"	2 1/2" X 8"	2 1/2" X 8"	2 1/2" X 8"	2 1/2" X 8"	2 1/2" X 8"	2 1/2" X 8"	2 1/2" X 8"
CYLINDER FOR CHUTE	Std	Std	Std	Std	Std	Std	Std	Std	Std	Std	Std	Std	Std	Std	Std	Std	Std	Std	Std	Std	Std
HYDRAULIC DEFLECTOR	Std	Std	Std	Std	Std	Std	Std	Std	Std	Std	Std	Std	Std	Std	Std	Std	Std	Std	Std	Std	Std
MANUAL DEFLECTOR	Opt.	Opt.	Opt.	Opt.	Opt.	Opt.	Opt.	Opt.	Opt.	Opt.	Opt.	Opt.	Opt.	Opt.	Opt.	Opt.	Opt.	Opt.	Opt.	Opt.	Opt.
SEMI INDUSTRIAL CHUTE (2 DEFLECTORS)	Std	Std	Std	Std	Std	Std	Std	Std	Std	Std	Std	Std	Std	Std	Std	Std	Std	Std	Std	Std	Std
HYDRAULIC TELESCOPIC CHUTE	-	-	-	-	-	-	-	-	-	Opt.	Opt.	Opt.	Opt.	Opt.	Opt.	Opt.	Opt.	Opt.	Opt.	Opt.	Opt.
MAIN AUGER DIAMETER	17"	17"	17"	17"	19 1/2"	19 1/2"	19 1/2"	19"	19"	23"	23"	23"	23"	23"	23"	23"	23"	23"	23"	23"	23"
UPPER AUGER DIAMETER	-	-	-	-	-	-	-	13"	13"	-	-	-	-	-	13"	-	-	13"	17"	17"	17"
BALANCED AUGER	Std	Std	Std	Std	Std	Std	Std	Std	Std	Std	Std	Std	Std	Std	Std	Std	Std	Std	Std	Std	Std
REVERSIBLE CARBON STEEL BLADE	Std	Std	Std	Std	Std	Std	Std	Std	Std	Std	Std	Std	Std	Std	Std	Std	Std	Std	Std	Std	Std
REVERSIBLE HARDOX 450 BLADE	Opt.	Opt.	Opt.	Opt.	Opt.	Opt.	Opt.	Opt.	Opt.	Opt.	Opt.	Opt.	Opt.	Opt.	Opt.	Opt.	Opt.	Opt.	Opt.	Opt.	Opt.
REVERSIBLE STAINLESS STEEL BLADE	Opt.	Opt.	Opt.	Opt.	Opt.	Opt.	Opt.	Opt.	Opt.	Opt.	Opt.	Opt.	Opt.	Opt.	Opt.	Opt.	Opt.	Opt.	Opt.	Opt.	Opt.
TIVAR BLADE	Opt.	Opt.	Opt.	Opt.	Opt.	Opt.	Opt.	Opt.	Opt.	Opt.	Opt.	Opt.	Opt.	Opt.	Opt.	Opt.	Opt.	Opt.	Opt.	Opt.	Opt.
LATERAL BLADES	Opt.	Opt.	Opt.	Opt.	Opt.	Opt.	Opt.	Std	Std	Opt.	Opt.	Opt.	Opt.	Opt.	Opt.	Opt.	Opt.	Opt.	Opt.	Opt.	Opt.
ADJUSTABLE CARBON STEEL SKID SHOES	Std	Std	Std	Std	Std	Std	Std	Std	Std	Std	Std	Std	Std	Std	Std	Std	Std	Std	Std	Std	Std
ADJUSTABLE HARDOX 450 SKID SHOES	Opt.	Opt.	Opt.	Opt.	Opt.	Opt.	Opt.	Opt	Opt	Opt.	Opt.	Opt.	Opt.	Opt.	Opt.	Opt.	Opt.	Opt.	Opt.	Opt.	Opt.
ADJUSTABLE STAINLESS STEEL SKID	Opt.	Opt.	Opt.	Opt.	Opt.	Opt.	Opt.	Opt.	Opt.	Opt.	Opt.	Opt.	Opt.	Opt.	Opt.	Opt.	Opt.	Opt.	Opt.	Opt.	Opt.
ADJUSTABLE TIVAR SKID SHOES	Opt.	Opt.	Opt.	Opt.	Opt.	Opt.	Opt.	Opt.	Opt.	Opt.	Opt.	Opt.	Opt.	Opt.	Opt.	Opt.	Opt.	Opt.	Opt.	Opt.	Opt.
DRIVE CHAIN NUMBER	60	60	60	60	80	80	80	80	80	80	80	80	80	80	80	80	100	80	100	100	100
HOSES HOLDER	Std	Std	Std	Std	Std	Std	Std	Std	Std	Std	Std	Std	Std	Std	Std	Std	Std	Std	Std	Std	Std
STORAGE FOOT	Std	Std	Std	Std	Std	Std	Std	Std	Std	Std	Std	Std	Std	Std	Std	Std	Std	Std	Std	Std	Std
NUMBER OF SAFETY BOLTS	2	2	2	2	2	2	2	2	2	2	2	2	2	3	3	3	3	3	3	3	3
BEARING DUCTILE IRON CASING	Std	Std	Std	Std	Std	Std	Std	Std	Std	Std	Std	Std	Std	Std	Std	Std	Std	Std	Std	Std	Std
STANDARD PTO SHAFT	T20	T20	T40	T40	T60	T60	T60	T60	T60	T60	T60	T80	T80	T80	T80	T80	T80	T80	T80	T80	T80
1 000 / 540 BOX REDUCER	-	-	-	-	-	-	-	-	-	Opt.	Opt.	Opt.	Opt.	Opt.	Opt.	Opt.	Opt.	Opt.	Opt.	Opt.	Opt.
ADJUSTABLE HITCH	Std	Std	Std	Std	Std	Std	Std	Std	Std	Std	Std	Std	Std	Std	Std	Std	Std	Std	Std	Std	Std
HITCH CATEGORY (QH = QUICK HITCH)	1, QH	1, QH	1, QH	1, QH	1, 1QH, 2	1, 1QH, 2	1, 1QH, 2	1, 1QH, 2	1, 1QH, 2	2, QH	2, QH	2, QH	2, QH	2, AQH	2, QH	2, QH	2, QH	2, QH	2, QH	2, QH	2, QH
WEIGHT (APPROX. LB) 1 AUGER **	717	751	854	872	1 109	1 159	1 175	1 172	1 224	1 649	1 675	1 790	1 910	2 105	2 284	2 239	2 316	2 441	2 537	2 560	2 664
	-	-	-	-	-	1 278	1 296	-	-	1790	-	1 975	-	2 302	2 503	2 437	-	2 599	2 772	2 774	2 878

\* Use with a PTO shaft serie T40 if more than 30 HP-PTO. Specifications are subject to change without notice  
 \*\* The weight includes chute, cylinder for chute deflector, rotation kit, PTO



HITCH YOUR TRACTOR TO HIGH PERFORMANCE